



TAMA[®]

TAMA[®]

NEW FOR 2026



LIMITED STARCLASSIC BUBINGA DRUM KIT WITH FIGURED AFRICAN CHERRY OUTER PLY

In 2006, at a time when drum kits were largely made using Maple or Birch, TAMA made a groundbreaking statement with the introduction of a revolutionary new series: Starclassic Bubinga. This kit quickly reshaped the landscape of modern drums. Its deep & powerful tone challenged conventional ideas of what drums could sound like, and immediately took the world by storm. Establishing itself as a new benchmark for high-end drums, Starclassic Bubinga cemented its place in the drumming world. Even after it was discontinued in 2018, its influence remained undiminished. Artists who are now in the global spotlight, like

Mario Duplantier and Eloy Casagrande, continue to sing its praises, attesting to its enduring unique and powerful sound. Now, in 2026, this legendary instrument returns at last – reborn as a limited-edition model. This reissue faithfully reproduces the original 9-ply, 6 mm shell construction (7 mm for snare and bass drums). Crafted from rare African Bubinga, the dense & heavy wood delivers thunderous low-end, immense power, and a signature dark tone unique to Bubinga – an awe-inspiring sonic experience.

To further emphasize the deep low-end character of the wood, the toms and floor toms feature deeper shell sizes, while the bass drum comes without a tom holder base – choices made to maximize the wood's natural resonance and rich tone. For the outer ply, we chose a bold African Cherry, showcasing high contrast and definition. Paired with sleek Black Nickel hardware, this kit boasts a commanding presence that visually matches its sonic impact – capturing the attention and imagination of all who see and hear it.

Experience the sound of a legend.



COLOR Gloss African Cherry -GAC

BE52ZBAS Basic Kit

Including:

- 22" x 16" Bass Drum
- 10" x 8" Tom Tom
- 12" x 9" Tom Tom
- 14" x 14" Floor Tom
- 16" x 16" Floor Tom

4.299,- EUR
18.615,- PLN
1.715.000,- HUF

[Add-on]

- 14" x 6.5" Snare Drum



LIMITED CLUB-JAM DRUM KIT WITH DOUBLE TOM CONFIGURATION

This Limited Club-JAM Kit combines easy portability with a full-bodied drum sound. The limited-edition model features a double rack tom setup not found in the regular version, offering even more set-up flexibility. Each drum is slightly smaller than the original Club-JAM, creating a well-balanced, compact set-up, that feels like a

miniature version of a standard 22" BD 5-piece kit. Even in low-volume situations players can enjoy their usual setup without compromise. With its practical size and double-tom configuration, this drum kit offers a fun and flexible playing experience for drummers of all kinds.



COLOR Aqua Blue -AQB

LJK56S Basic Kit

Including:

- 16" x 10" Bass Drum
- 8" x 6" Tom Tom
- 10" x 7" Tom Tom
- 12" x 10" Floor Tom
- 12" x 5" Snare Drum
- Double Tom Holder

629,- EUR
2.724,- PLN
251.000,- HUF



Shells

- TT/FT: 6 mm, 8-ply Bubinga
+ 1 outer ply Figured African Cherry
- BD: 7 mm, 8-ply Bubinga
+ 1 outer ply Figured African Cherry



Gloss African Cherry Finish



Black Nickel Shell Hardware



Double Tom Holder



Bass Drum Wood Hoop



ADD-ON SNARE DRUM



BES1465BA

- Shell: 7 mm, 8-ply Bubinga
+ 1 outer ply Figured African Cherry
- Size: 14" x 6.5"
- Lug: MSL-SCTBN
- Hoop: Die-Cast Hoops (10 hole)
- Strainer/Butt: MLS50ABN/MLS50BBN
- Snare Wire: MS20RL14C
- Color: Gloss African Cherry (GAC)

649,- EUR
2.810,- PLN
259.000,- HUF



Bass Drum Lifter

AVAILABLE FINISHES



Aqua Blue (AQB)



Fluorescent Yellow Mist (FYM)



COLOR Charcoal Brown Paraiso -CBP

STAR Maple

TM42RZSS Basic Kit

- Including:
- 22" x 16" Bass Drum
 - 10" x 7" Tom Tom
 - 12" x 8" Tom Tom
 - 16" x 16" Floor Tom

6.499,- EUR
28.141,- PLN
2.593.000,- HUF

- [Add-on]
• 14" x 6.5" Snare Drum



COLOR Molten Platinum Burst -MPB

Starclassic Walnut/Birch

WBS52RZS Basic Kit

- Including:
- 22" x 16" Bass Drum
 - 10" x 7" Tom Tom
 - 12" x 8" Tom Tom
 - 14" x 12" Floor Tom
 - 16" x 14" Floor Tom
 - MC69 Single Tom Attachments (x2)

2.899,- EUR
12.553,- PLN
1.157.000,- HUF

- [Add-on]
• 14" x 6.5" Snare Drum



COLOR Sky Blue Mist -SLM

Imperialstar w/ Black Nickel Shell Hardware

IP52H6WBN Basic Kit

- Including:
- 22" x 18" Bass Drum
 - 10" x 7" Tom Tom
 - 12" x 8" Tom Tom
 - 16" x 14" Floor Tom
 - 14" x 5" Snare Drum
 - Double Tom Holder
 - Hi-Hat Stand
 - Drum Pedal
 - Snare Stand
 - Boom Cymbal Stand
 - Straight Cymbal Stand
 - Drum Throne

1.099,- EUR
4.759,- PLN
439.000,- HUF



With over 40 years of experience, TAMA knows what drummers really want. Which is why TAMA has the set you need, want and can afford no matter how long you've been playing drums or what budget you have to work with. Now TAMA has launched

the affordable kit to ever incorporate many nice features – STAGESTAR. The new STAGESTAR kit comes with Omni-ball tom holder as well as double braced hardware for increased stability.

COLOR Candy Red Sparkle -CDS

ST50H6 Complete Kit 5-piece Kit with 20" Bass Drum

- Including:
- 20" x 16" Bass Drum
 - 10" x 8" Tom Tom
 - 12" x 9" Tom Tom
 - 14" x 13" Floor Tom
 - 14" x 5.5" Snare Drum
 - Double Tom Holder
 - Hi-Hat Stand
 - Drum Pedal
 - Snare Stand
 - Boom Cymbal Stand
 - Straight Cymbal Stand
 - Drum Throne
 - MEINL BCS Cymbal Set: 14" Hi-Hat, 16" Crash, 20" Ride

799,- EUR
3.460,- PLN
319.000,- HUF



ST52H6 Complete Kit 5-piece Kit with 22" Bass Drum

- Including:
- 22" x 16" Bass Drum
 - 10" x 8" Tom Tom
 - 12" x 9" Tom Tom
 - 16" x 15" Floor Tom
 - 14" x 5.5" Snare Drum
 - Double Tom Holder
 - Hi-Hat Stand
 - Drum Pedal
 - Snare Stand
 - Boom Cymbal Stand
 - Straight Cymbal Stand
 - Drum Throne
 - MEINL BCS Cymbal Set: 14" Hi-Hat, 16" Crash, 20" Ride

799,- EUR
3.460,- PLN
319.000,- HUF



Double Tom Holder



MEINL BCS Cymbal Set: 14" Hi-Hat, 16" Crash, 20" Ride

AVAILABLE FINISHES



BLACK NIGHT SPARKLE (BNS)



CANDY RED SPARKLE (CDS)



SEA BLUE MIST (SEM)



LIMITED STAR RESERVE G-MAHOGANY

This STAR Reserve is a limited-edition model featuring an extra thick Mahogany shell. Crafted from 9mm/11-ply G-Mahogany, this shell produces warm, full body tone and is enhanced by the deep and rich sound unique to a thicker shell construction.

To preserve the Mahogany's open and resonant sound, 2.3 mm flanged steel hoops are used, drawing out a long, open sustain. The snare drum visually stands out with its refined aesthetic that features an outer ply of Tineo, a wood known for its natural reddish brown tone and lush vertical grain.

TGHS1465S

- Shell: 9 mm, 11-ply African Mahogany + 1 outer ply Tineo
- Size: 14" x 6.5"
- Lugs: MSL90TC
- Hoop: Steel Mighty Hoop (10 hole)
- Strainer/Butt: MLS50A/MLS50B
- Snare Wire: MS20RL14C
- Color: Satin Natural Tineo (SNT)



1.149,- EUR
 4.975,- PLN
 458.000,- HUF



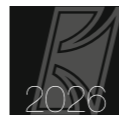
9mm, 11-ply African Mahogany + 1 outer ply Tineo



Steel Mighty Hoop (10 hole)



Super Sensitive Hi-Carbon Snare Wires



LIMITED MIKE PORTNOY SIGNATURE SNARE DRUM

In the Fall of 2023, Mike Portnoy's exciting return to Dream Theater ignited the entire music industry. For TAMA, this meant only one thing: a new Monster must be born. Taking inspiration from Mike's original "Purple Monster" kit, TAMA created a truly unique & custom finish that was specially crafted through Mike's artistic vision. A stunningly vibrant white paint flows down each shell, naturally blending into a beautifully rich purple sparkle.

Every drum is expertly hand-painted & no two are the same. A dream color for a monster player, Mike Portnoy dubs his new kit the "Dream Monster". Fans can now experience part of this new Monster kit for themselves, with a Limited Edition release of the Mike Portnoy Signature Snare Drum, featuring the same finish as Mike's one-of-a-kind "Dream Monster" kit. Following the same specs

as Mike's current signature snare model, the shell is made of 8 mm, 9-ply Bubinga, paired with die-cast hoops and the 3-Way Tension Adjustable Strainer – allowing you to instantaneously switch between tight, loose, and off settings. This bold new snare designed with Mike Portnoy is guaranteed to make a monster statement.

MP1455BUN

- Shell: 8 mm, 9-ply Bubinga
- Size: 14" x 5.5"
- Lug: MSL-SCT
- Hoop: Die-Cast Hoop (8 hole)
- Strainer/Butt: MCS100A/MCS70B
- Snare Wire: MS20SN14S

*Certification Card Included



899,- EUR
 3.893,- PLN
 359.000,- HUF



3-Way Tension Adjustable Strainer

Mike Portnoy's Signature Snare drum features a special 3-way tension adjustable strainer that can instantly switch between tight, loose, and off settings, allowing you to achieve uniquely different snare sounds while playing.



Limited Edition Finish

This limited edition snare drum features the exact same finish as Mike Portnoy's new "Dream Monster" kit. A stunningly vibrant white paint flows down each shell, naturally blending into a beautifully rich purple sparkle. Every drum is expertly hand-painted & no two are the same.





REGULAR SPARTAN CYMBAL STAND

The heavy weight of the stand pressing on your shoulder as you carry your gear. The frustration and unease when adjustments don't go smoothly during setup. The subtle fatigue that sets in before you've even played a note. These are minor discomforts that many drummers experience – but often go unspoken, unrecognized. Yet over time, they quietly erode a drummer's focus, expressive power, and ultimately, the quality of their performance.

We created Spartan with the goal of eliminating these unseen obstacles – so that drummers can fully unlock their creative potential.

In developing Spartan, our pursuit extended far beyond simple weight reduction. Equipped with innovative features such as the Anti-Walk Rubber Feet to prevent movement during performance, and the Duo-Lock Boom Tilter that allows for simultaneous adjustment of boom angle and length, Spartan is designed to offer not only lightness, but also fast, intuitive setup and rock-solid stability for confident play.

To enhance playability, we combined TAMA's accumulated mechanical innovations into a design that achieves an ideal level of lightness – light enough to reduce physical strain, yet strong enough to support professional demands. The result is a perfectly balanced harmony of form and function: a stand that feels "just right" for every drummer.

Spartan's true potential cannot be fully captured in a product spec sheet. But for those who touch it, its originality is unmistakable – something no other brand has yet realized. It is a stand that responds to the drummer's needs, stands firm in demanding environments, and enables free, creative performance at every level.

What do drummers truly seek in a stand? Spartan is the answer we arrived at by listening deeply to the unspoken voices in the hearts of drummers.

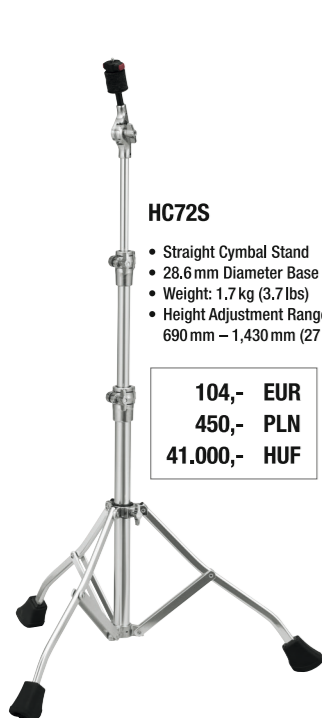
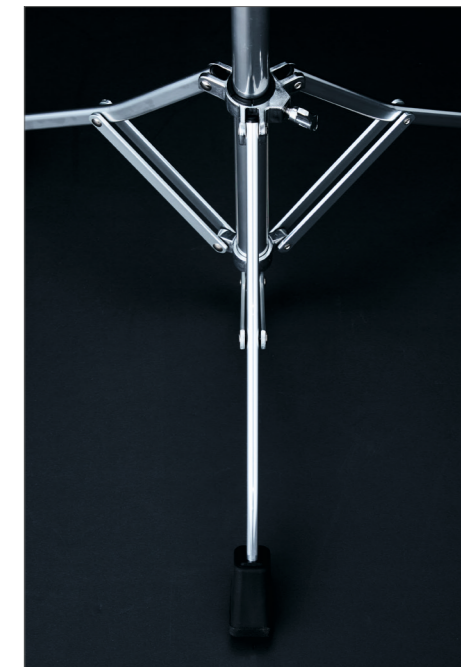
A new standard – confidently proposed by TAMA for the future of drumming.

Lightweight Aluminum Pipe

In pursuit of the ultimate lightweight design, this new series from TAMA was developed entirely from the ground up, with all parts and mechanisms reimagined from scratch. Using lightweight aluminum extensively throughout, each component has been carefully designed to minimize size.

At the same time, achieving a high level of stability alongside a reduced weight is the core concept behind the Spartan stand. To ensure this, critical adjustment points that tend to experience wear and tear – such as the boom tilter, bolts, and T-nut threads – are made from high-strength, durable materials like zinc die-cast and steel.

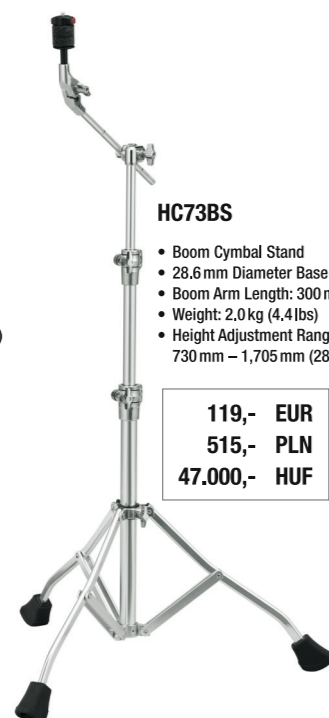
Furthermore, the stand legs combine aluminum construction with a hollow pipe-shaped design, delivering not only exceptional lightness but reliable strength.



HC72S

- Straight Cymbal Stand
- 28.6mm Diameter Base Section Tubing
- Weight: 1.7 kg (3.7 lbs)
- Height Adjustment Range: 690 mm – 1,430 mm (27 3/16" – 56 5/16")

104,- EUR
450,- PLN
41.000,- HUF



HC73BS

- Boom Cymbal Stand
- 28.6mm Diameter Base Section Tubing
- Boom Arm Length: 300 mm (11 13/16")
- Weight: 2.0 kg (4.4 lbs)
- Height Adjustment Range: 730 mm – 1,705 mm (28 3/4" – 67 1/8")

119,- EUR
515,- PLN
47.000,- HUF



HC73BSX2

HC73BS Spartan Boom Cymbal Stands (x2)

229,- EUR
992,- PLN
91.000,- HUF



Anti-Walk Rubber Feet

To prevent cymbal stand "walking" while playing, TAMA has developed an all-new rubber tip. Even when the stand lifts slightly off the floor while playing, a piece at the center of the rubber foot remains in contact with the floor, effectively minimizing unwanted movement during performance. This innovative feature delivers a level of stability that's almost unbelievable given the stand's lightweight design – yet another practical and original solution from TAMA.



About Spartan Series

In the 1970s, TAMA introduced the Spartan hardware series – a line engineered for lightweight construction and durability. However, as hard-rock and heavy-metal music rose in popularity, drummers demanded more heavy-duty stands, and the Spartan series ultimately fell out of step with the era's needs.

Today, the landscape has shifted again. Responding to renewed demand for lighter, more portable hardware, we have revived the Spartan name – re-imagined for the modern drummer yet firmly rooted in the spirit and innovation of the original.

Duo-Lock Boom Tilter

A newly developed TAMA original tilter designed specifically for the Spartan stand.

Using only one T-nut, the boom arm and tilter can be adjusted independently, depending how much you loosen the T-nut. Loosen it slightly to adjust only the boom arm length while keeping the tilter angle fixed, or, loosen it further to adjust both the boom arm length and angle at the same time.

Thanks to its simple and user-friendly design, setup is quick and effortless.



Glide-Tite Grip Joint (US.PAT.NO.9631656)



Quick-Set Tilter (US.PAT.NO.7385127)



Quick-Set Cymbal Mate (US.PAT.No.7629526)



LIMITED IRON COBRA 600 PEDAL DARK SHADOW EDITION

In 2026, a limited-edition matte black Iron Cobra 600 Dark Shadow Edition pedal will be released. Alongside its rugged matte black finish, the pedal is coated with a uniquely textured paint. Baked at high temperatures after painting, this special finish creates a textured pattern, making the pedal aesthetically unique with a bold, dark look.



HP600DTWMB
Twin Pedal

399,- EUR
1.728,- PLN
159.000,- HUF



HP600DMB
Single Pedal

159,- EUR
688,- PLN
63.000,- HUF



Matte Black Finish



Duo Glide (US.PAT.NO.8748721)



Speedo-Ring



Double Chain Drive



REGULAR CONCERT PERCUSSION

POWERPAD® BAG - Mallet & ACCESSORIES

This mallet and accessory bag that can store many types of mallets and sticks and has removable mallet bags with loops for hanging on a drum or other percussion instrument. Separate pockets can be used for storing sheet music, metronome, or other small accessories.

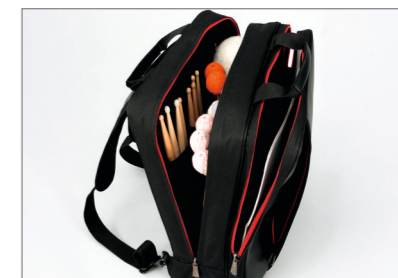
MBS06

- Shoulder Type Mallet Bag
- 340(L) x 160(W) x 480(H) mm
(13 3/8" x 6 5/16" x 18 7/8")

99,- EUR
429,- PLN
39.500,- HUF



Removable Sleeve with Loops



Multiple Pockets for Accessories and Sheet Music



Optional Backpack Straps

POWERPAD® BAG - Mallet & ACCESSORIES

This large capacity mallet bag is highly versatile with a lighter weight. Convenient, removable mallet bags offer ample space to fit various sizes from drum sticks to concert bass drum mallets. Side and front pockets can be used to store sheet music, metronome, or other small accessories.

MBS07

- Shoulder Type Mallet Bag
- 310(L) x 200(W) x 490(H) mm
(12 3/16" x 7 7/8" x 19 5/16")

129,- EUR
559,- PLN
51.000,- HUF



Removable Sleeves with Loops



Banded Front Pocket and Removable Pouch



Backpack Straps & Top Handles



TAMA[®]

www.tama.com
©2025-2026 TAMA DRUMS (M)